



US00D476169S

(12) **United States Design Patent** (10) **Patent No.:** **US D476,169 S**
Buono (45) **Date of Patent:** **** Jun. 24, 2003**

(54) **COLLAPSIBLE TABLE** 3,777,675 A 12/1973 Hanusiak
4,658,735 A 4/1987 Holton
(75) Inventor: **Steven A. Buono**, Greeneville, TN (US) 4,951,576 A 8/1990 Cobos et al.
D350,862 S 9/1994 Beller
(73) Assignee: **Maxchief Investments Limited**, 5,865,128 A 2/1999 Tarnay
Kaohsiung (TW) D414,626 S 10/1999 Collins et al.
5,984,047 A 11/1999 Rogers
(**) Term: **14 Years** D419,332 S 1/2000 Collins et al.
6,112,674 A 9/2000 Stanford
(21) Appl. No.: **29/166,542** 6,431,086 B1 * 8/2002 Lloyd 108/36
6,431,092 B1 8/2002 Stanford
(22) Filed: **Aug. 29, 2002**

Related U.S. Application Data

(63) Continuation-in-part of application No. 10/021,140, filed on Dec. 12, 2001.
(51) **LOC (7) Cl.** **06-03**
(52) **U.S. Cl.** **D6/429; D6/487**
(58) **Field of Search** **D6/480-489, 495, D6/499, 429-430; 108/124, 153.1, 155, 156, 157.1, 161, 125, 126, 115, 127, 130, 131; 248/188, 188.1, 188.8**

References Cited

U.S. PATENT DOCUMENTS

159,227 A 1/1875 Sinclair
236,197 A 1/1881 Valley
1,487,497 A 3/1924 Whewell
1,757,260 A 5/1930 Silverman
1,956,946 A 5/1934 Duffy
D99,726 S * 5/1936 Powell D6/480
2,278,810 A 4/1942 Virtue et al.
2,474,450 A 6/1949 Woodruff
2,689,158 A * 9/1954 Mahr 108/131
2,939,516 A 6/1960 Drew
3,072,451 A 1/1963 Greenberg et al.
3,357,729 A 12/1967 Krueger

OTHER PUBLICATIONS

Virco, c1983, p. 27, table #C.*
Igloo it's for Keeps, The Most Lightweight, Durable Versatile Table You'll Every Carry. (US)

* cited by examiner

Primary Examiner—Janice E. Seeger
(74) *Attorney, Agent, or Firm*—Luedeka, Neely & Graham, P.C.

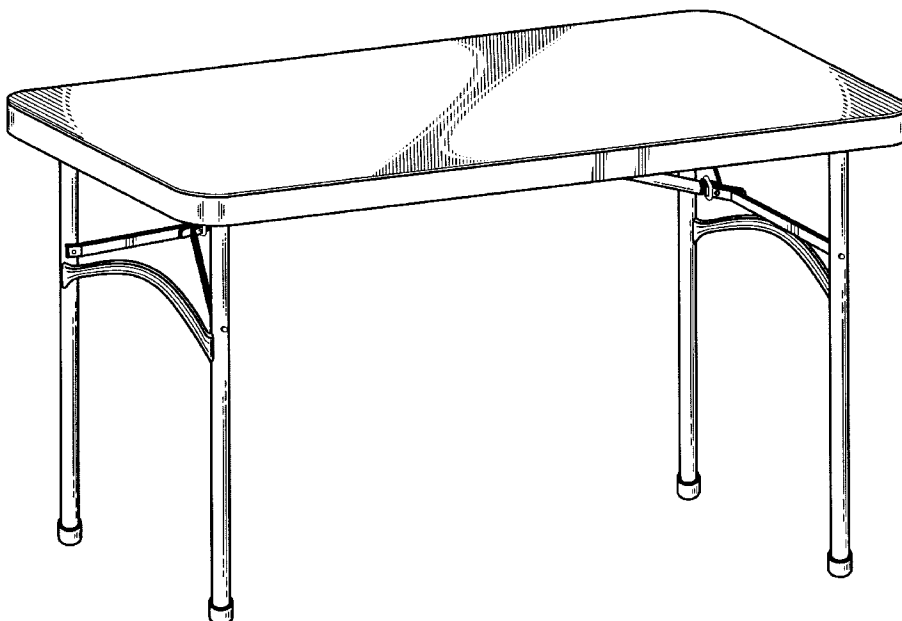
CLAIM

(57) The ornamental design of a collapsible table, as shown and described.

DESCRIPTION

FIG. 1 is Top Perspective View;
FIG. 2 is a Bottom Perspective View;
FIG. 3 is a Top Plan View;
FIG. 4 is a Bottom Plan View;
FIG. 5 is a Side Elevation View, wherein the other side is symmetrical; and,
FIG. 6 is an End Elevation View, wherein the other end is symmetrical.

1 Claim, 6 Drawing Sheets



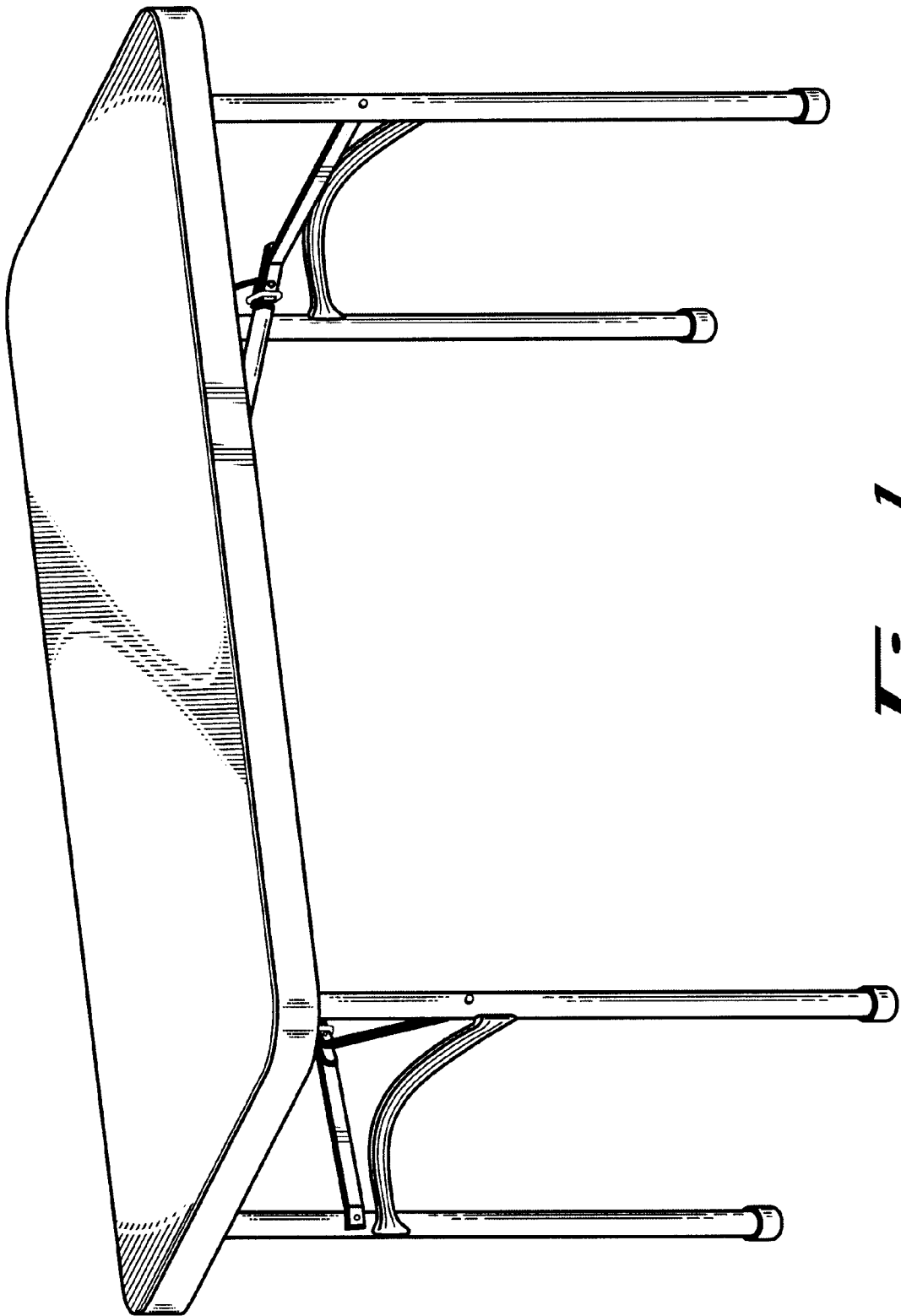


Fig. 1

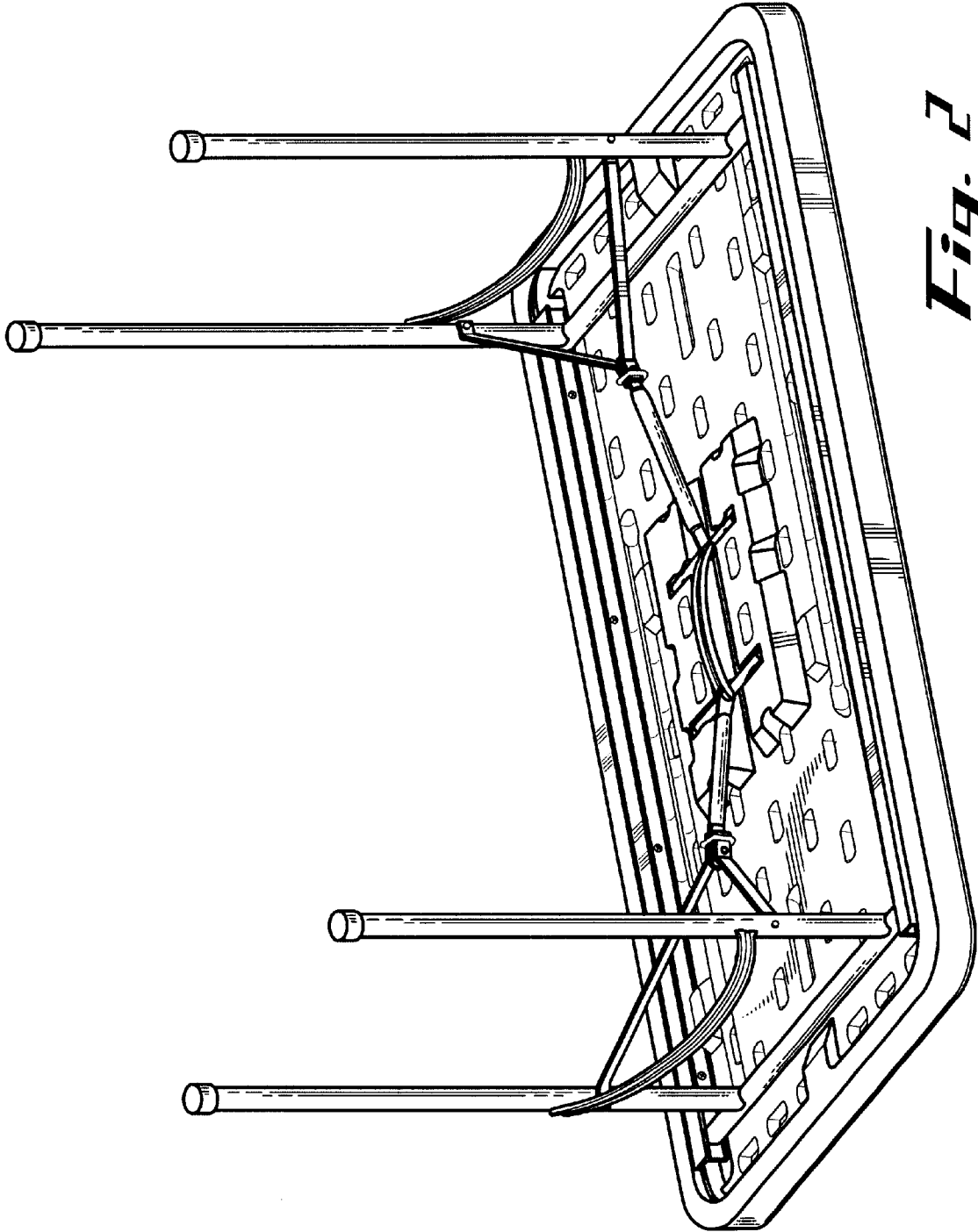


Fig. 2

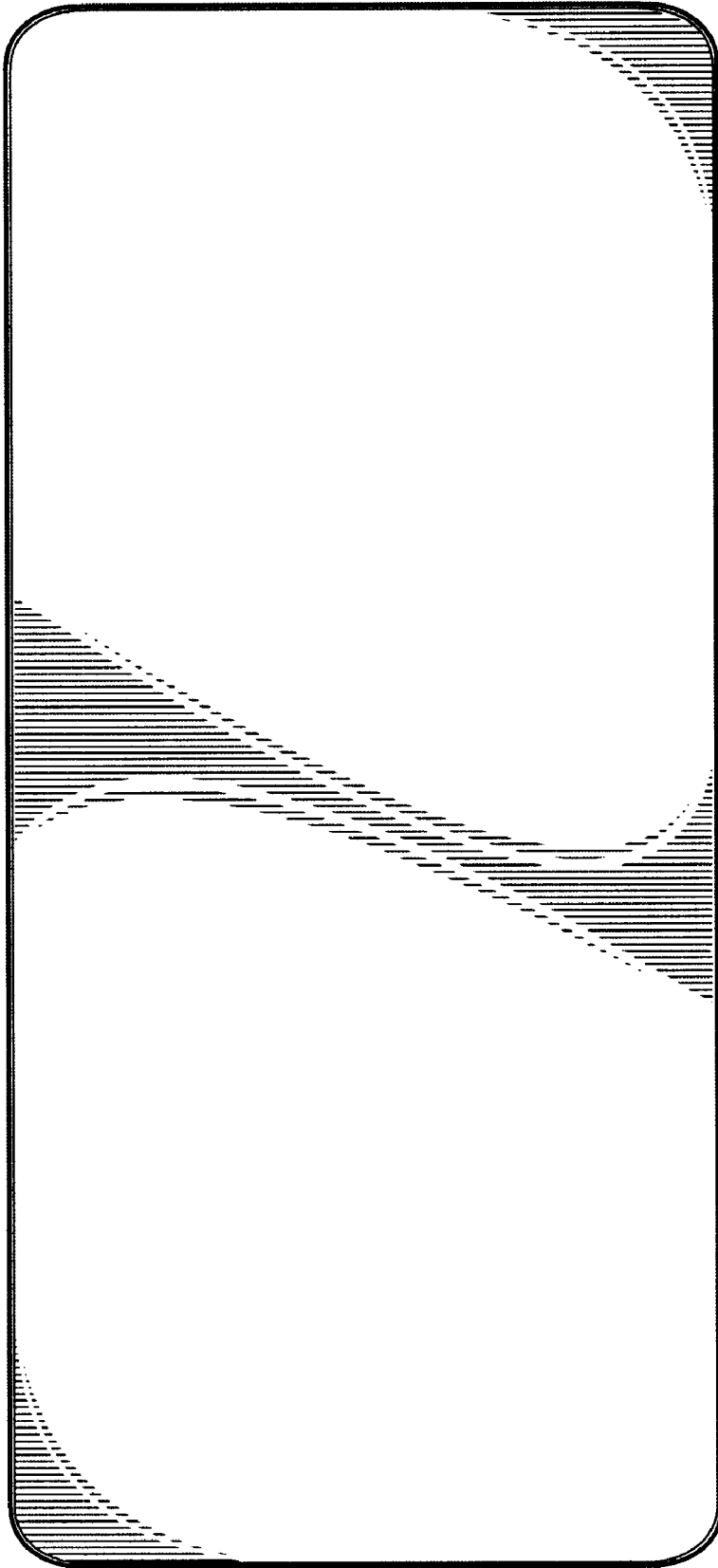


Fig. 1

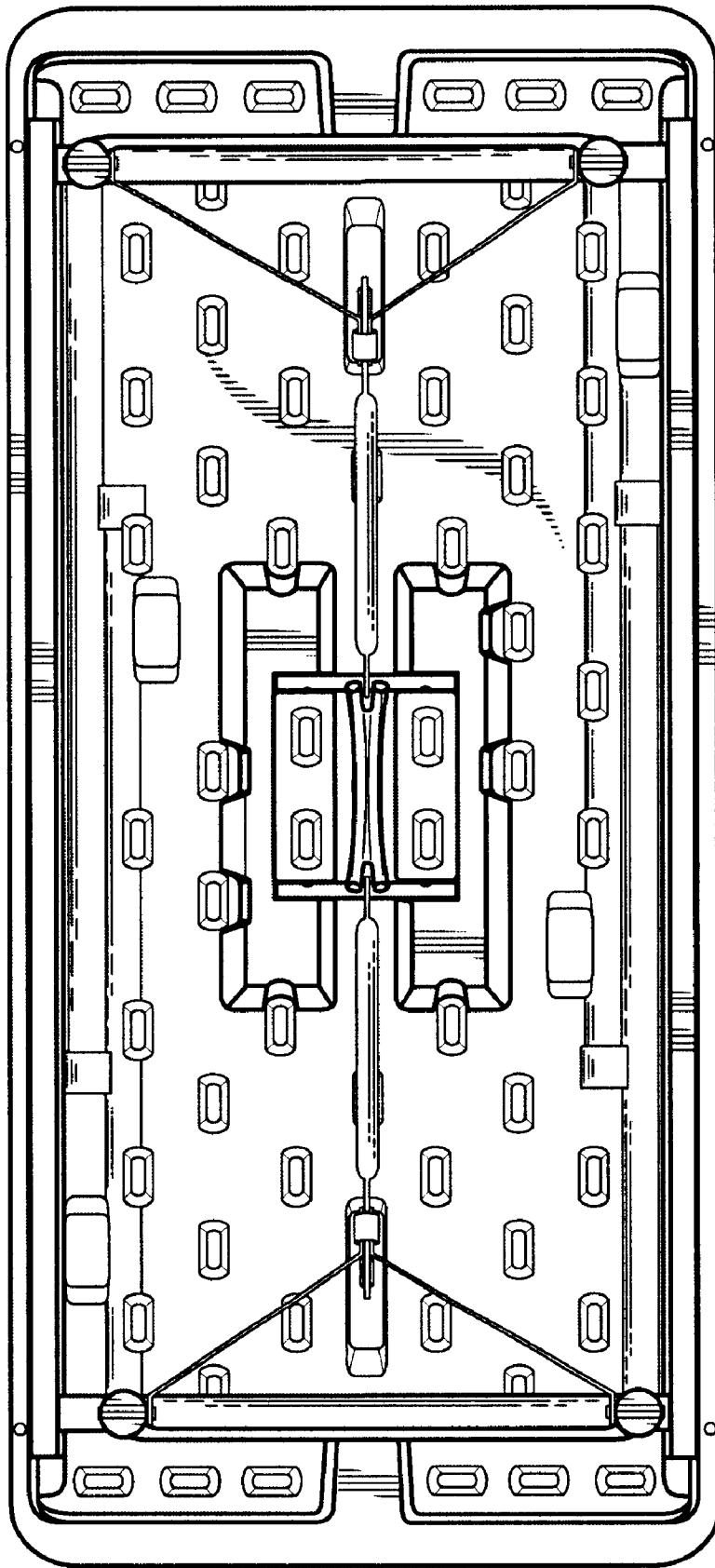


Fig. 4

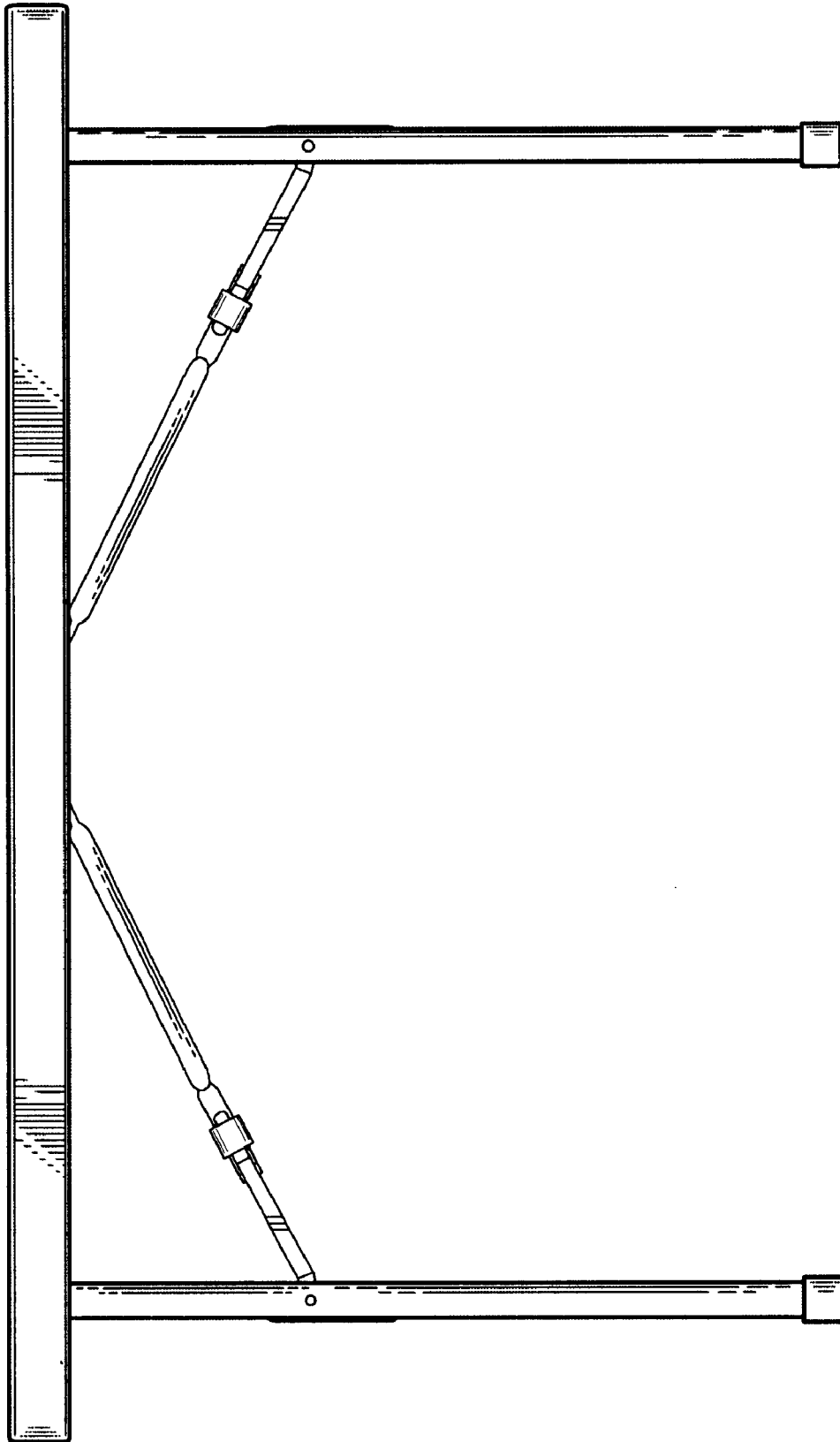


Fig. 5

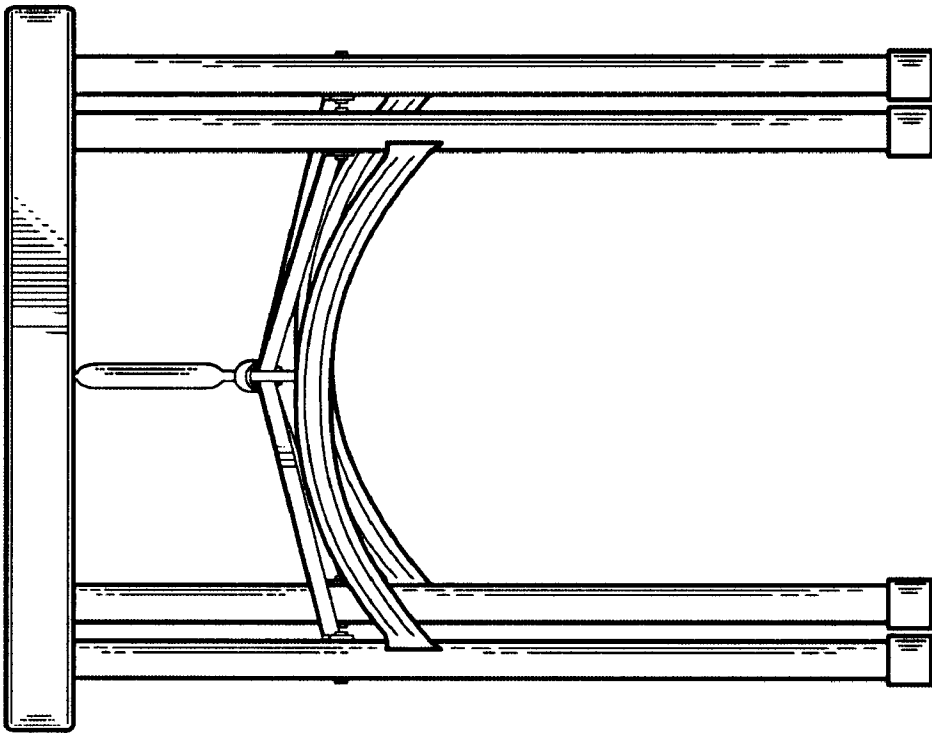


Fig. 6