



US00D480580S

(12) **United States Design Patent** (10) **Patent No.:** **US D480,580 S**
Buono (45) **Date of Patent:** **** Oct. 14, 2003**

- (54) **CIRCULAR COLLAPSIBLE TABLE**
- (75) Inventor: **Steven A. Buono**, Greenville, TN (US)
- (73) Assignee: **Maxchief Investments Limited**,
Kaohsiung (TW)
- (**) Term: **14 Years**
- (21) Appl. No.: **29/164,823**
- (22) Filed: **Jul. 31, 2002**

4,103,626 A	*	8/1978	Barricks	108/127
D288,391 S	*	2/1987	Colby	D6/429
4,658,735 A		4/1987	Holtow	
4,951,576 A		8/1990	Cobos et al.	
D350,862 S		9/1994	Beller	
D357,144 S	*	4/1995	Hand	D6/480
D366,580 S	*	1/1996	Berry, Jr. et al.	D6/480
5,865,128 A		2/1999	Tamay	
D414,626 S		10/1999	Collins et al.	
5,984,047 A		11/1999	Rogers	
D419,332 S		1/2000	Collins et al.	
6,112,674 A		9/2000	Stanford	
6,431,086 B1	*	8/2002	Lloyd	108/36
6,431,092 B1		8/2002	Stanford	

Related U.S. Application Data

- (63) Continuation-in-part of application No. 10/021,140, filed on Dec. 12, 2001.
- (51) **LOC (7) Cl.** **06-03**
- (52) **U.S. Cl.** **D6/429; D6/487**
- (58) **Field of Search** D6/480-489, 495-499,
D6/429-431; 108/153.1, 155, 156, 157.1,
161, 115, 127, 130, 131, 124-126; 248/188.1,
188, 188.8

OTHER PUBLICATIONS

Igloo It's For Keeps, The Most Lightweight, Durable, Versatile Table You'll Every Carry. (US)

* cited by examiner

Primary Examiner—Janice E. Seeger
(74) *Attorney, Agent, or Firm*—Luedeka, Neely & Graham, P.C.

(56) **References Cited**

U.S. PATENT DOCUMENTS

159,227 A	1/1875	Sinclair	
236,197 A	1/1881	Valley	
1,487,497 A	3/1924	Whewell	
1,757,260 A	5/1930	Silverman	
1,956,946 A	5/1934	Duffy	
2,053,789 A	* 9/1936	Hardy	108/124
2,278,810 A	4/1942	Virtue et al.	
2,474,450 A	6/1949	Woodruff	
2,756,082 A	* 7/1956	Pucci	108/131
2,939,516 A	6/1960	Drew	
3,072,451 A	1/1963	Greenberg et al.	
3,357,729 A	12/1967	Krueger	
3,777,675 A	12/1973	Hanusiak	

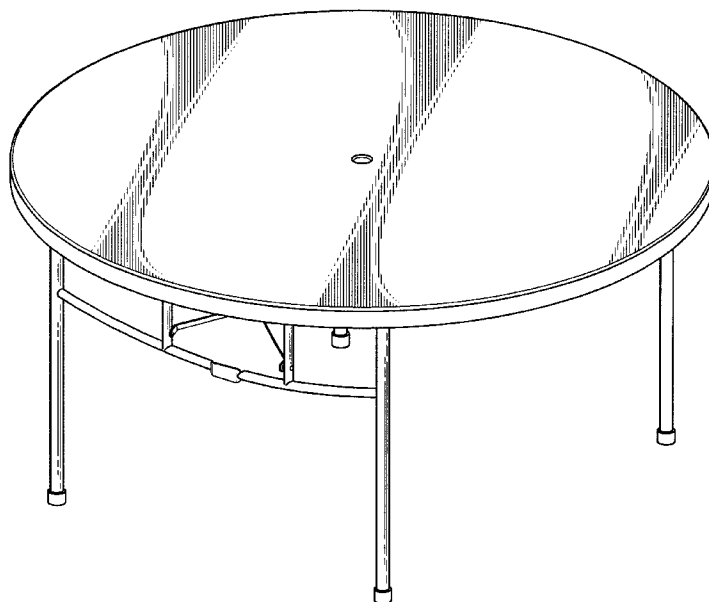
(57) **CLAIM**

The ornamental design of a circular collapsible table, as shown and described.

DESCRIPTION

FIG. 1 is Top Perspective View;
FIG. 2 is a Bottom Perspective View;
FIG. 3 is a Top Plan View;
FIG. 4 is a Bottom Plan View;
FIG. 5 is an End Elevation View, wherein the other end is symmetrical; and,
FIG. 6 is a Side Elevation View, wherein the other side is symmetrical.

1 Claim, 6 Drawing Sheets



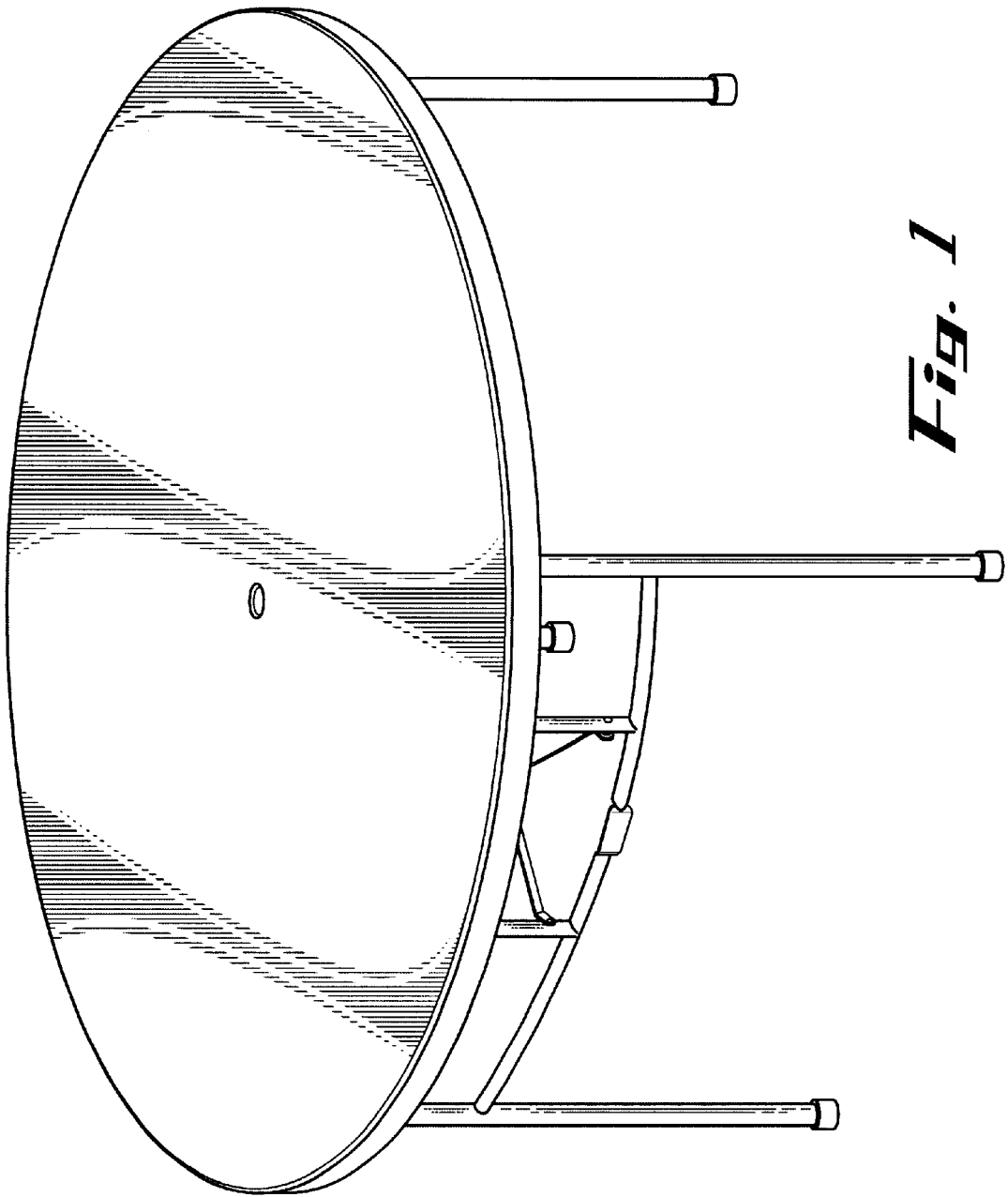


Fig. 1

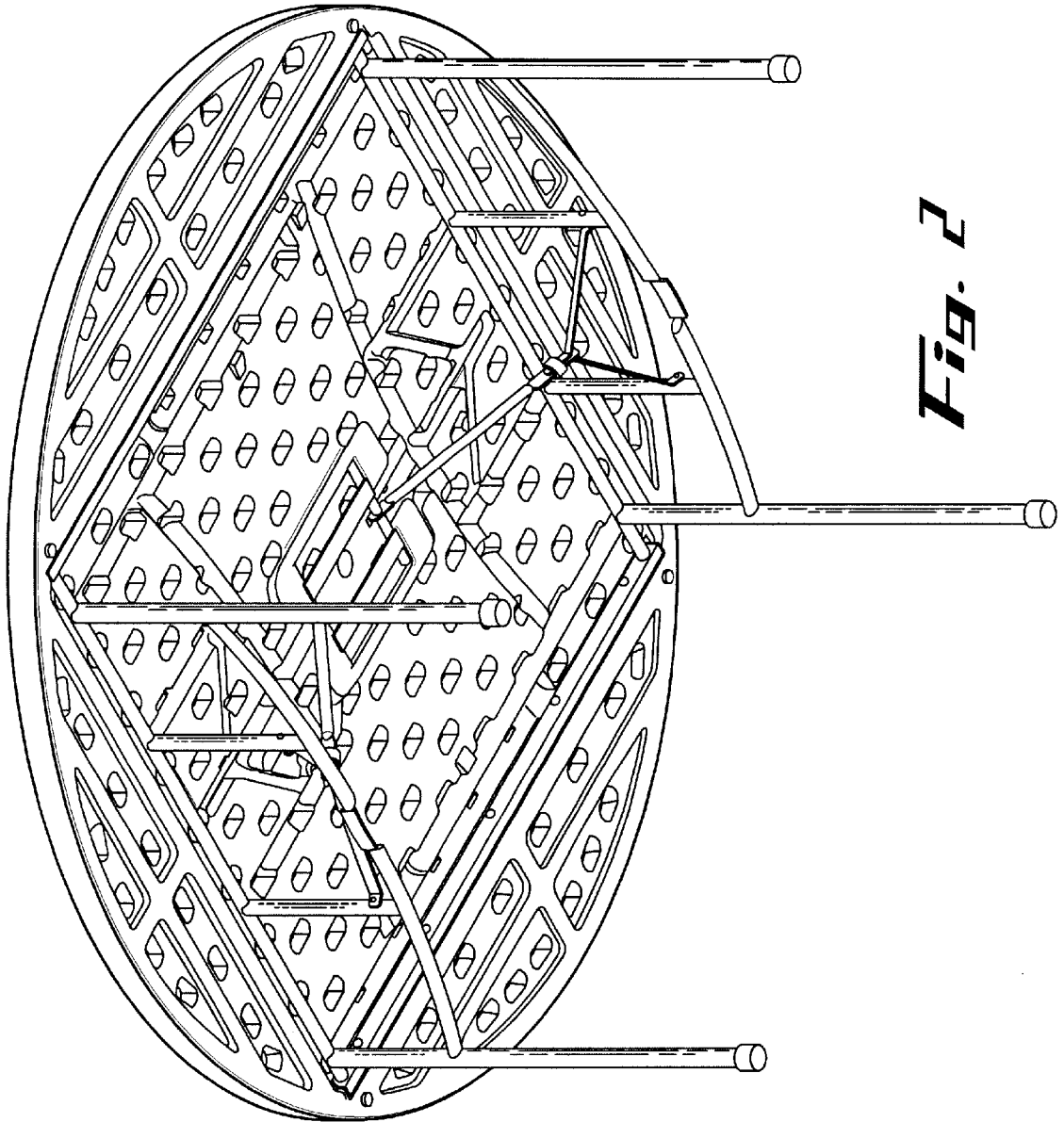


Fig. 2

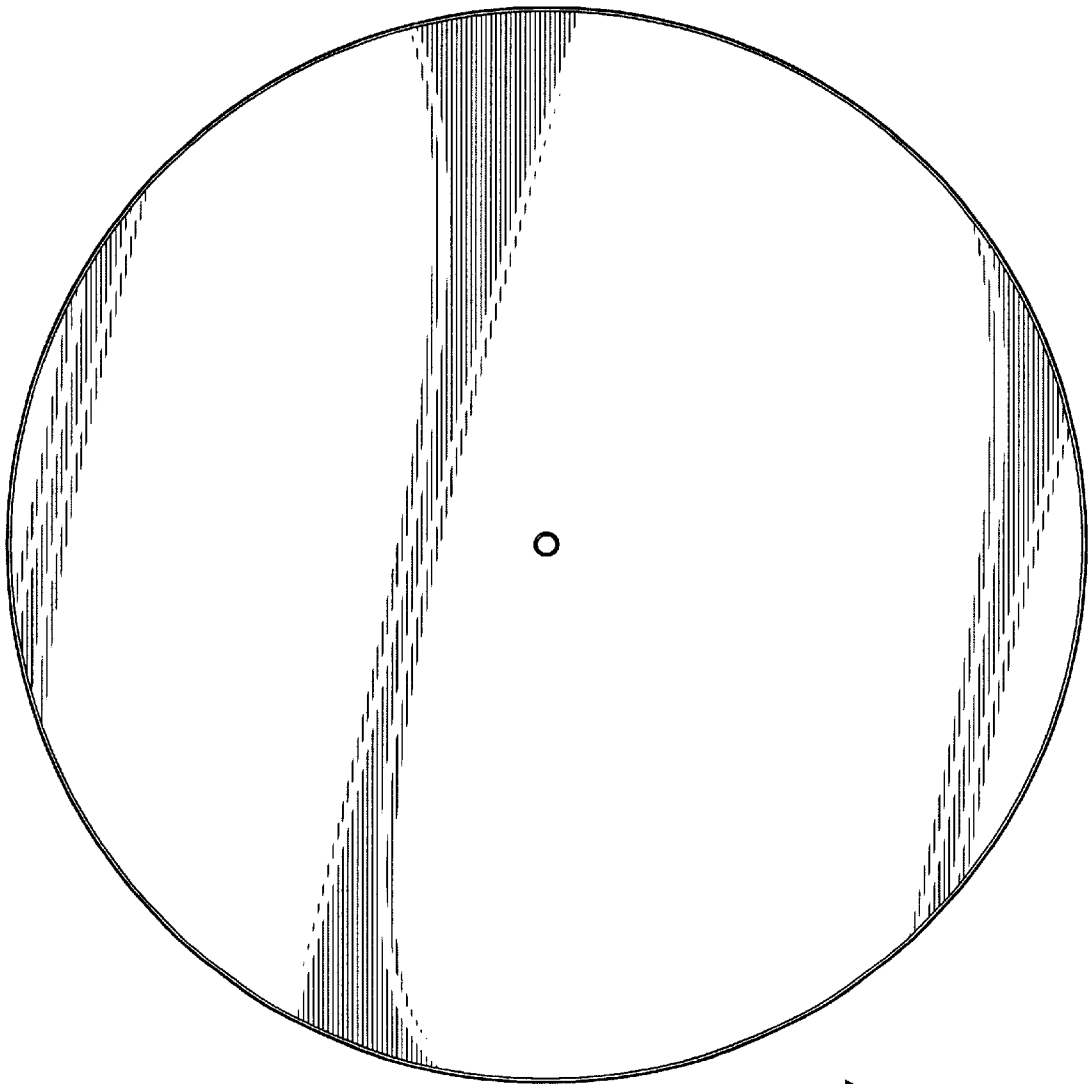


Fig. 3

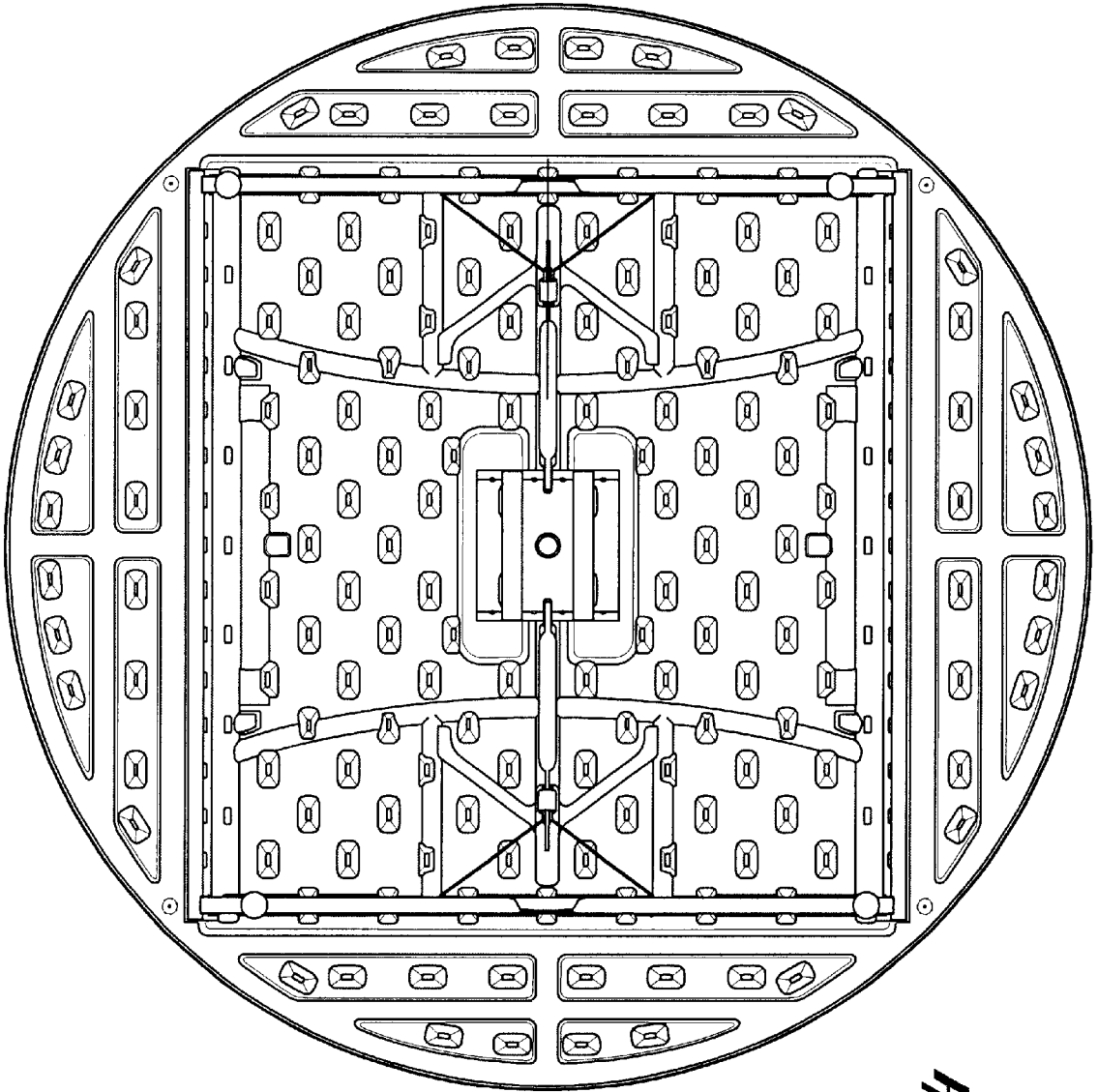


Fig. 4

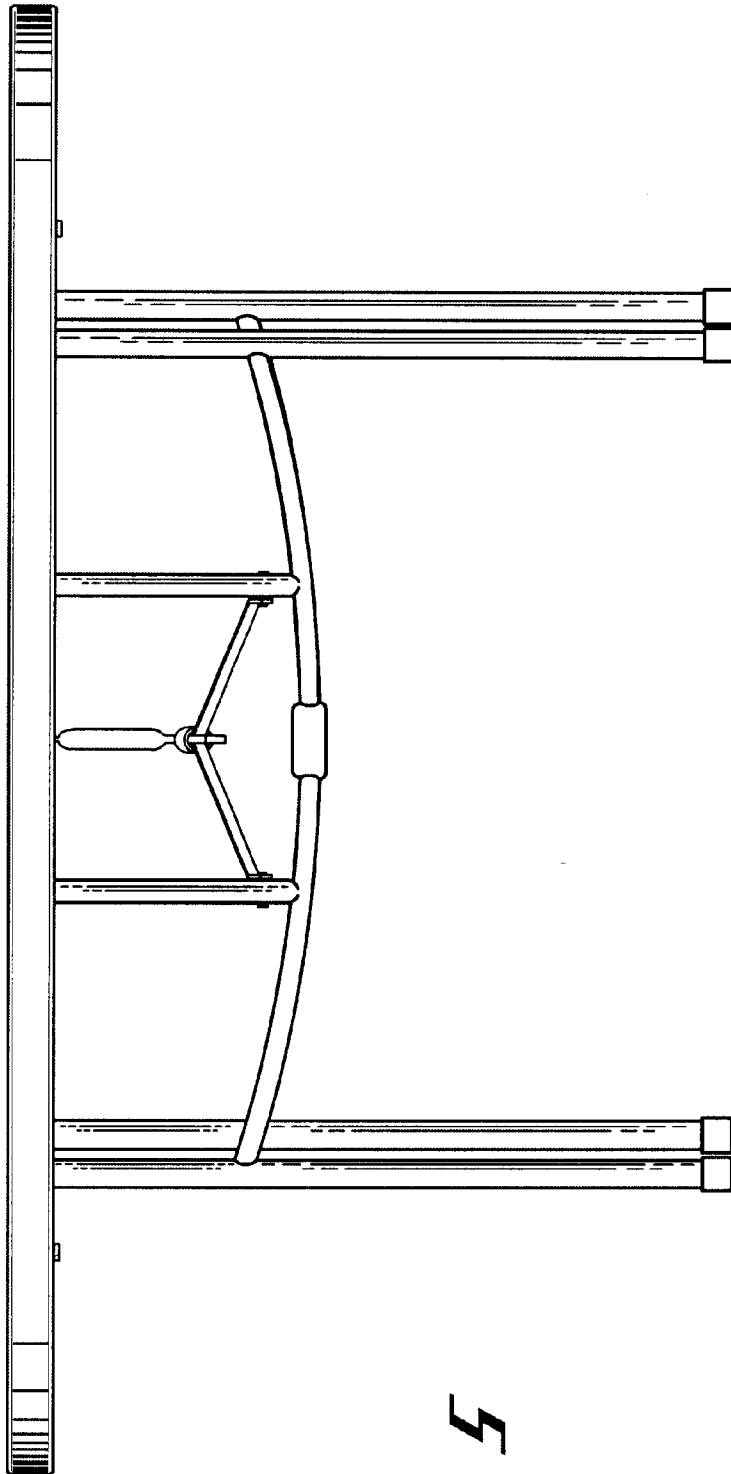


Fig. 5

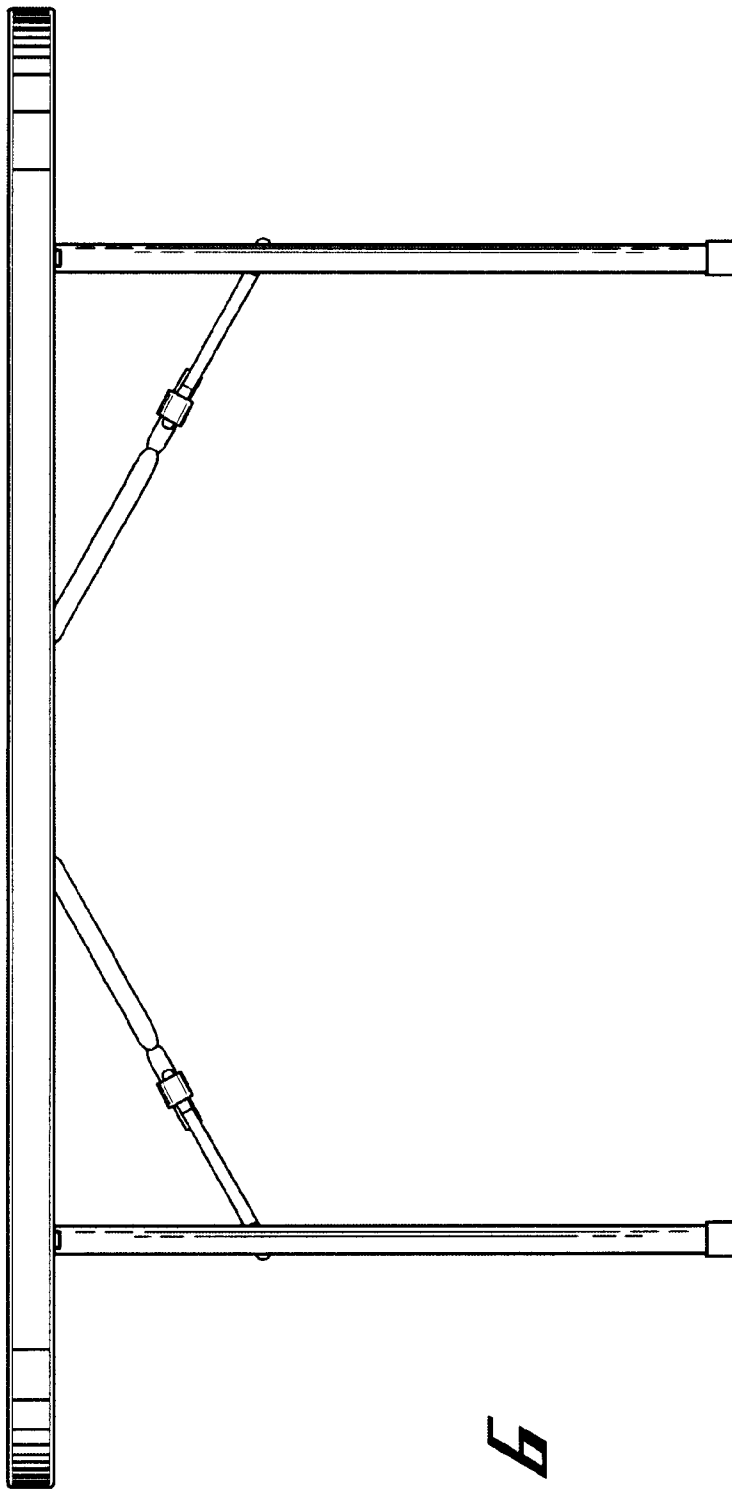


Fig. 6